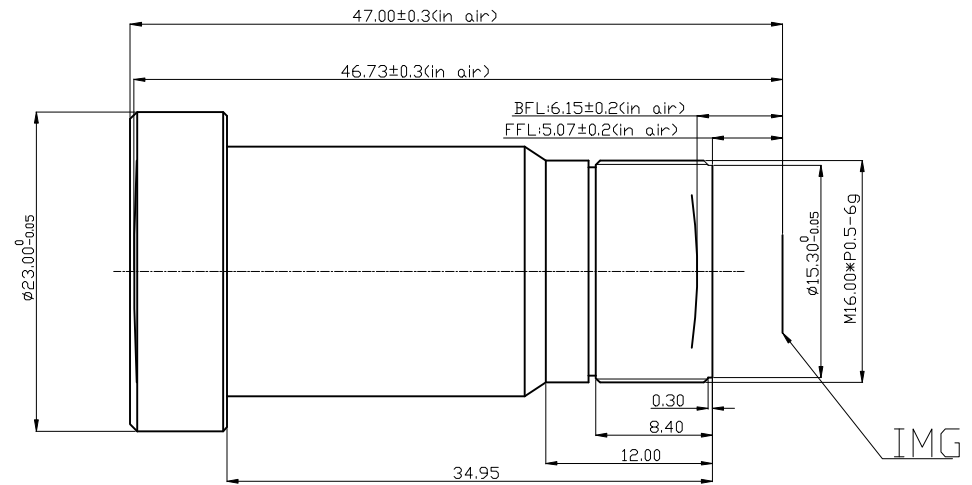


YT-4986-A2 Lens Specification

1.SENSOR SIZE		1/1.8"(MAXØ8.96)
2.FOCAL LENGTH (EFL)	f=	4.77mm±5%
3.F/NO (INFINITE)	F/NO=	1.05±5%
4.BACK FOCAL LENGTH	BFL=	6.15mm±0.2mm
5.FLANGE BACK LENGTH	FB=	5.07mm±0.2mm
6.FIELD OF VIEW(D)	=	138°(H4.48)
FIELD OF VIEW(H)	=	109°(H3.6)
FIELD OF VIEW(V)	=	55°(H2.205)
7.TV DISTORTION	<	-21%
8.THREAD SIZE	=	M16*P0.5-6g
9.RELATIVE ILLUMINATION	=	≥40%
10.CRA	=	<3°
11.Spectral transmission:		
435~656nm	T	≥80%



REV	DESCRIPTION	DATE	NAME	NAME	YT-4986-A2	NAME	DATE
①				VIEW	REV 00	DRAWN	
②				深圳市云泰时代光学有限公司 SHENZHEN YUNTAI TIME OPTICAL CO.,LTD		CHECKED	
③						APPROVED	
④							